

Multi-San



DELIVERY DATA

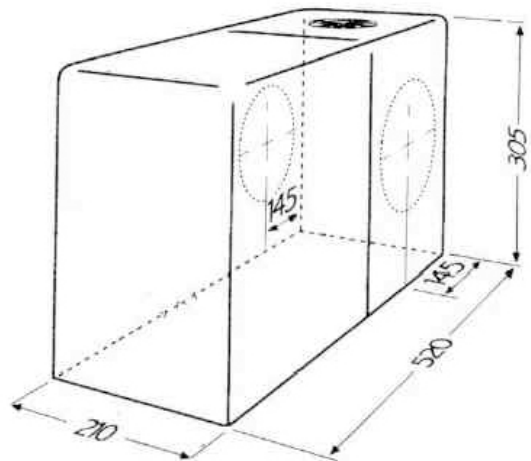
Delivery head H (m)	1	2	3	4	5	6
Delivery volume Q (Litres/min)	270	220	190	140	100	60

Heads to 8 metres on request

TECHNICAL DATA

Synthetic robust tank. Capacity		17 Litres
Delivery connection		32mm (Female)
Motor Output	kW	0.6
Rated Voltage	V	230
Current FLC	A	5
Cable	m	1.5
Weight complete	kg	14
Temperature continuous/maximum		40/60°C
Delivery pipe 25mm or 32mm PVC		
Non return valve 32mm BSPf		

Multi-San - dimensions in millimetres



M

ulti-Flo and Multi-San solve those "below the sewer" waste disposal problems.

These neat, compact units are capable of efficiently and quietly handling a range of services. The powerful dry-mounted motor and fully sealed tank are amongst features unique to these units.

For commercial applications there is now the **Multi-Flo Commercial**.

Higher capacity models, Saniboy and Sanimaster are also available for complete households, restaurants, and other public facilities.



APPLICATIONS

Multi-San

Multi-Flo

Multi-Flo Commercial

collect and automatically pump waste water away from:

- Kitchen sinks
- Washing machines
- Baths
- Showers
- Vanities
- Dishwashing machines
(domestic and commercial)
- Glassware sterilising units
- Air conditioning units
- Bidet and Toilet. (Multi-San only)
- Dehumidifiers and many others

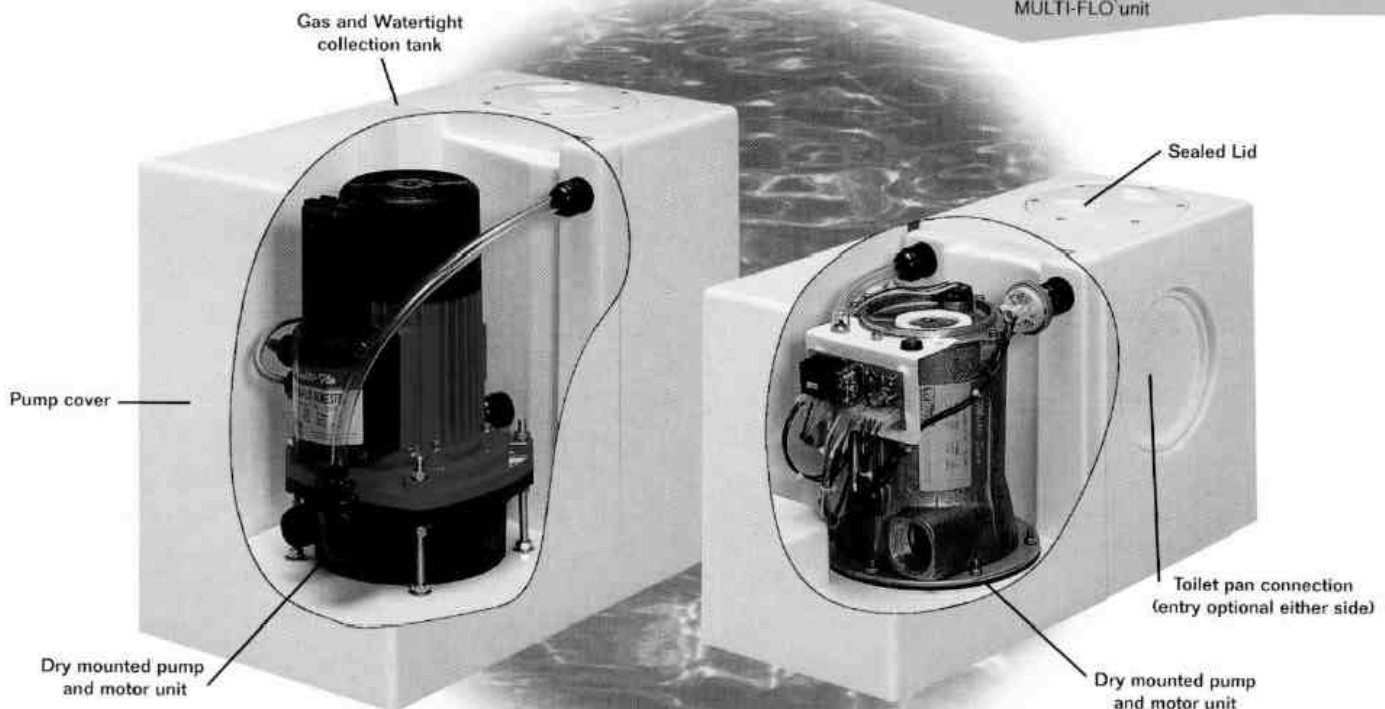
Don't ever let gravity restrict what

SPECIAL FEATURES

- Completely self-contained
- Quiet, powerful and fully automatic.
- Easily installed and serviced
- Can be remotely installed
- White tank blends with any decor
- 2 year warranty
- Dry mounted motor and pump
- High head and flow
- Choice of pan entry (Multi-San)
- Multiple choice of waste inlet position

TYPICAL INSTALLATIONS

Diagrammatic sketch only-This drawing is not intended to be technically accurate but to display some examples of situations where the Multi-San and Multi-Flo may be used.



Multi-Flo 
Fully Automatic Waste Water Pump

Multi-San 
Fully Automatic Sewage
& Waste Water Pump